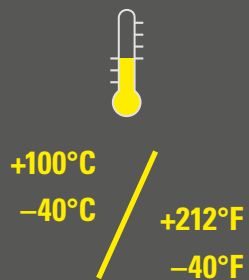
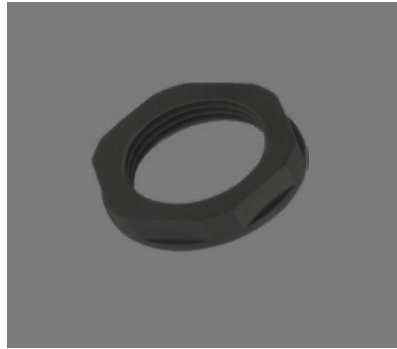


NTPA-PG

PG制, 尼龙, 六角锁紧螺母

Locknut hexagon, polyamide, PG



材料: 玻纤增强尼龙

PG制六角头锁紧螺母FIPLOCK® NTPA-PG 由玻纤增强尼龙制成。主要用于FIPLOCK® ONE PG制塑料螺纹接头锁紧。螺母有标准黑色和灰色(RAL7001)两种, 也可以按照客户需求定制颜色。

Material: polyamide glas fibre reinforced

The hexagon locknut FIPLOCK® NTPA-PG made out of polyamide reinforced with glas fibre is required for fixation of our FIPLOCK® ONE fittings with PG plastic threads. These locknuts are available as a standard in black and grey (RAL7001), any special colours on request.

NTPA-PG

产品性能 / Product performances

应用性能 / <i>Application performances</i>	特性 <i>Characteristics</i>	单位 <i>Unit</i>	规范标准 <i>Standards, specifications</i>	备注 <i>Remark</i>
温度范围 <i>Temperature range</i>	-40 到 / to +100 -40 到 / to +212	°C °F	IS FIP	
防火性能 / <i>Fire safety performances</i>				
不含卤素和镉 <i>Free from halogens and cadmium</i>	是 / <i>yes</i>			
阻燃等级 <i>Fire classification</i>	HB		UL 94	
火焰蔓延 <i>Spread of fire</i>	非火焰蔓延 <i>non flame propagating</i>		IEC EN 61386	
耐候性 / <i>Weathering performances</i>				
UV及耐候性 <i>UV and weathering performance</i>	非常好 <i>very good</i>		IS FIP	15 到 20 年 <i>15 to 20 years</i>

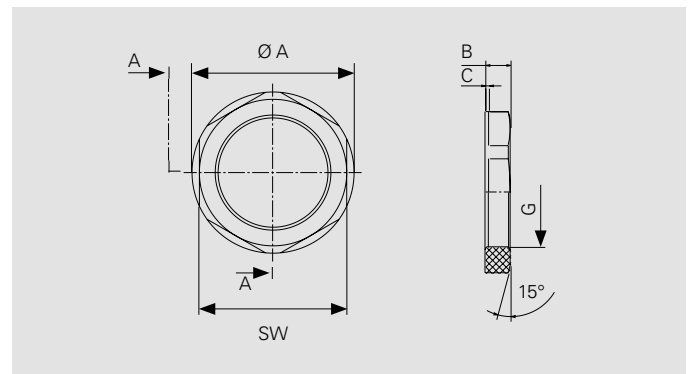
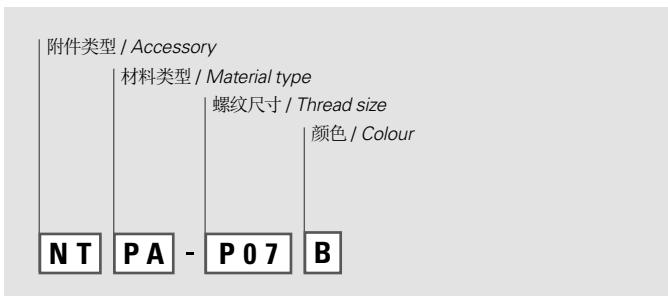
测试条件参照EN ISO 139 温度23°C, 湿度 / 50% (如未注明测试条件)。IS FIP= FIP内部测试规范
 Tests carried out acc. EN ISO 139 at 23°C/50% r. h. (if not indicated different). IS FIP = Internal Specification FIP

产品号 Part No.		螺纹尺寸 Thread size	尺寸 (mm) Dimensions in mm (nom.)				重量 Weight	包装单位 PU
黑色 / black	灰色 / grey	NW	SW	A	B	C	g	个 / Pcs
NTPA-P07B	NTPA-P07G	P07	19	21,0	5,0	0,9	13,0	10
NTPA-P09B	NTPA-P09G	P09	22	24,0	5,0	0,9	16,5	10
NTPA-P11B	NTPA-P11G	P11	24	26,0	5,0	0,8	17,5	10
NTPA-P13B	NTPA-P13G	P13	27	29,0	6,0	0,8	24,0	10
NTPA-P16B	NTPA-P16G	P16	30	33,0	6,0	0,8	32,0	10
NTPA-P21B	NTPA-P21G	P21	36	39,0	7,0	1,0	46,0	6
NTPA-P29B	NTPA-P29G	P29	46	50,0	7,0	1,0	43,5	6
NTPA-P36B	NTPA-P36G	P36	60	66,0	8,0	2,0	88,0	4
NTPA-P42B	NTPA-P42G	P42	65	73,0	8,0	2,2	62,5	4
NTPA-P48B	NTPA-P48G	P48	70	78,0	8,0	2,2	66,0	4

关于产品库存, 交期, 尺寸及颜色等问题请联系我们本地的经销商或客服。

Please contact our local distribution partner or our customer service regarding product availability, lead time, other sizes and colours.

产品代码 / Number code:



我们尽我们的知识水平所提供的数据, 图像和技术规格图反映了当前的工程技术水平。这并不包含对最后应用有关的任何责任。产品用户需根据应用进行自己的评估, 以确定产品是否符合特殊的应用条件。我们对产品的责任只考虑一般规定条件下的水平。FIP保留对产品数据和数值进行技术调整的权力。例如更改材料和加工工艺, 在保证产品性能数值不下降的情况下不会另行通知。

The provided data, images and technical specification drawings reflect the current engineering level and are to the best of our knowledge. This does not include any liability regarding the final application. Users of the products have to make their own evaluation to determine the suitability for a specific application. Our liability for these products considers the stated level within our General Conditions only. FRAENKISCHE Industrial Pipes (FIP) reserves the right to adjust specified data and values as well as implementing technical adjustments of the products e. g. change of materials and processing technologies without prior notice as long as the specified values are not reduced.