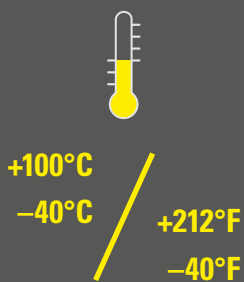
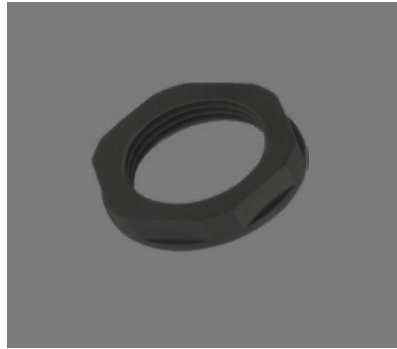


NTPA-M

公制, 尼龙, 六角锁紧螺母

Locknut hexagon, polyamide, metric



材料: 玻纤增强尼龙

公制六角头锁紧螺母FIPLOCK® NTPA-M 由玻纤增强尼龙制成。主要用于FIPLOCK® ONE 公制塑料螺纹接头锁紧。螺母有标准黑色和灰色(RAL7001)两种, 也可以按照客户需求定制颜色。

Material: polyamide glas fibre reinforced

The hexagon locknut FIPLOCK® NTPA-M made out of polyamide reinforced with glas fibre is required for fixation of our FIPLOCK® ONE fittings with metric plastic threads. These locknuts are available as a standard in black and grey (RAL7001), any special colours on request.

NTPA-M

产品性能 / *Product performances*

应用性能 / <i>Application performances</i>	特性 <i>Characteristics</i>	单位 <i>Unit</i>	规范标准 <i>Standards, specifications</i>	备注 <i>Remark</i>
温度范围 <i>Temperature range</i>	-40 到 / <i>to</i> +100 -40 到 / <i>to</i> +212	°C °F	IS FIP	
防火性能 / <i>Fire safety performances</i>				
不含卤素和镉 <i>Free from halogens and cadmium</i>	是 / <i>yes</i>			
阻燃等级 <i>Fire classification</i>	HB		UL 94	
火焰蔓延 <i>Spread of fire</i>	非火焰蔓延 <i>non flame propagating</i>		IEC EN 61386	
耐候性 / <i>Weathering performances</i>				
UV及耐候性 <i>UV and weathering performance</i>	非常好 <i>very good</i>		IS FIP	15 到 20 年 <i>15 to 20 years</i>

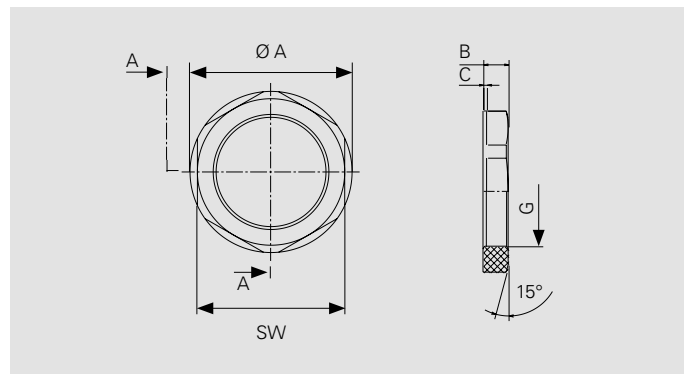
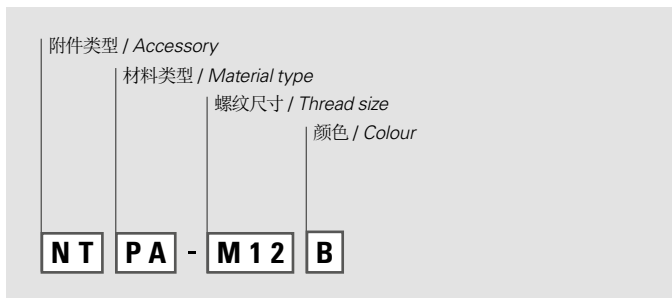
测试条件参照EN ISO 139 温度23°C, 湿度 / 50% (如未注明测试条件)。IS FIP= FIP内部测试规范
Tests carried out acc. EN ISO 139 at 23°C/50% r. h. (if not indicated different). IS FIP = Internal Specification FIP

产品号 Part No.		螺纹尺寸 Thread size	SW	尺寸 (mm) Dimensions in mm (nom.)			重量 Weight	包装单位 PU
黑色 / black	灰色 / grey	NW		A	B	C	g	个 / Pcs
NTPA-M12B	NTPA-M12G	M12x1,5	17	18,7	5,0	0,8	10,0	10
NTPA-M16B	NTPA-M16G	M16x1,5	22	24,2	5,0	0,8	15,0	10
NTPA-M20B	NTPA-M20G	M20x1,5	27	29,7	6,0	0,9	26,0	10
NTPA-M25B	NTPA-M25G	M25x1,5	34	37,4	6,0	0,9	41,0	10
NTPA-M32B	NTPA-M32G	M32x1,5	41	45,1	7,0	1,0	35,0	6
NTPA-M40B	NTPA-M40G	M40x1,5	50	55,0	7,0	1,0	50,0	6
NTPA-M50B	NTPA-M50G	M50x1,5	60	66,0	8,0	1,2	49,0	4
NTPA-M63B	NTPA-M63G	M63x1,5	75	82,5	8,0	1,2	75,0	4

关于产品库存, 交期, 尺寸及颜色等问题请联系我们本地的经销商或客服。

Please contact our local distribution partner or our customer service regarding product availability, lead time, other sizes and colours.

产品代码 / Number code:



我们尽我们的知识水平所提供的数据, 图像和技术规格图反映了当前的工程技术水平。这并不包含对最后应用有关的任何责任。产品用户需根据应用进行自己的评估, 以确定产品是否符合特殊的应用条件。我们对产品的责任只考虑一般规定条件下的水平。FIP保留对产品数据和数值进行技术调整的权利。例如更改材料和加工工艺, 在保证产品性能数值不下降的情况下不会另行通知。

The provided data, images and technical specification drawings reflect the current engineering level and are to the best of our knowledge. This does not include any liability regarding the final application. Users of the products have to make their own evaluation to determine the suitability for a specific application. Our liability for these products considers the stated level within our General Conditions only. FRAENKISCHE Industrial Pipes (FIP) reserves the right to adjust specified data and values as well as implementing technical adjustments of the products e. g. change of materials and processing technologies without prior notice as long as the specified values are not reduced.