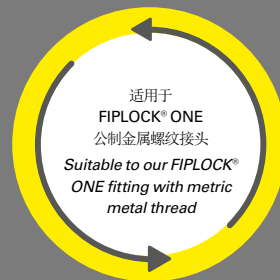
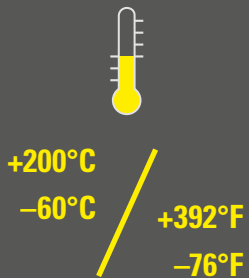


NTBN-M-EMV

公制, 镀镍黄铜, EMV六角头锁紧螺母

Locknut hexagon, brass nickel-plated, metric, EMV



材料: 黄铜镀镍

六角头锁紧螺母FIPSHIELD® NTBN-M-EMV 由镀镍黄铜制成。主要用于箱体表面有氧化层或表面有喷漆涂层的场合。在锁紧这种特殊公制螺母时, 螺母的底部凸点会划破箱体表面隔离覆盖层确保与箱体本体的接触。

Material: Brass nickel-plated

The hexagon locknut FIPSHIELD® NTBN-M-EMV made out of brass nickel-plated is required wherever cabinets with a anodized, lacquered or powder-coated surface are used. By tightening this special locknut with a metric thread, the sharp edges cut the isolated coverage and ensure the contact.

NTBN-M-EMV

产品性能 / *Product performances*

应用性能 / <i>Application performances</i>	特性 <i>Characteristics</i>	单位 <i>Unit</i>	规范标准 <i>Standards, specifications</i>	备注 <i>Remark</i>
温度范围 <i>Temperature range</i>	-60 到 / to +200 -76 到 / to +392	°C °F	IS FIP	

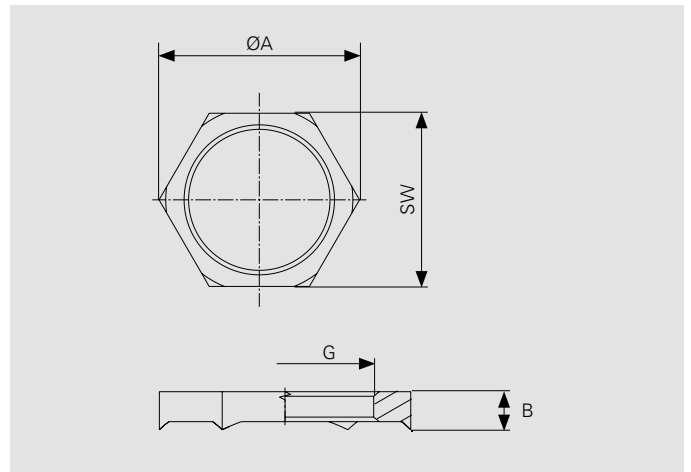
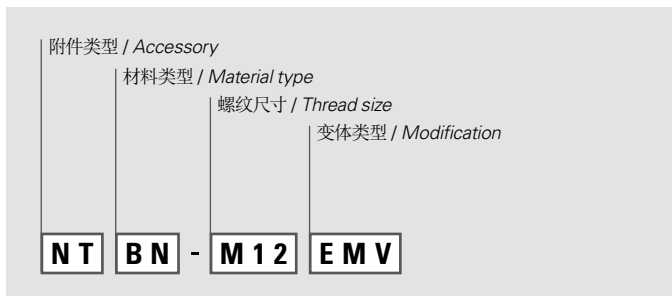
测试条件参照EN ISO 139温度23°C, 湿度 / 50% (如未注明测试条件)。IS FIP=FIP内部测试规范
Tests carried out acc. EN ISO 139 at 23°C/50% r. h. (if not indicated different). IS FIP = Internal Specification FIP

产品号 Part No.	螺纹尺寸 Thread size	尺寸 (mm) Dimensions in mm (nom.)			单重 Weight per piece	包装单位 PU
		SW	A	B	g	个 / Pcs
NTBN-M12-EMV	M12x1,5	15	17,32	4,70	2,8	10
NTBN-M16-EMV	M16x1,5	19	21,94	4,70	3,8	10
NTBN-M20-EMV	M20x1,5	24	27,70	4,70	6,2	10
NTBN-M25-EMV	M25x1,5	30	34,60	5,20	10,7	10
NTBN-M32-EMV	M32x1,5	36	41,50	5,70	13,4	6
NTBN-M40-EMV	M40x1,5	46	53,10	6,50	29,3	6
NTBN-M50-EMV	M50x1,5	60	69,28	6,50	55,5	4
NTBN-M63-EMV	M63x1,5	70	80,83	7,00	59,7	4

关于产品库存, 交期, 尺寸及颜色等问题请联系我们本地的经销商或客服。

Please contact our local distribution partner or our customer service regarding product availability, lead time, other sizes and colours.

产品代码 / Number code:



我们尽我们的知识水平所提供的数据, 图像和技术规格图反映了当前的工程技术水平。这并不包含对最后应用有关的任何责任。产品用户需根据应用进行自己的评估, 以确定产品是否符合特殊的应用条件。我们对产品的责任只考虑一般规定条件下的水平。FIP保留对产品数据和数值进行技术调整的权利。例如更改材料和加工工艺, 在保证产品性能数值不下降的情况下不会另行通知。

The provided data, images and technical specification drawings reflect the current engineering level and are to the best of our knowledge. This does not include any liability regarding the final application. Users of the products have to make their own evaluation to determine the suitability for a specific application. Our liability for these products considers the stated level within our General Conditions only. FRAENKISCHE Industrial Pipes (FIP) reserves the right to adjust specified data and values as well as implementing technical adjustments of the products e. g. change of materials and processing technologies without prior notice as long as the specified values are not reduced.