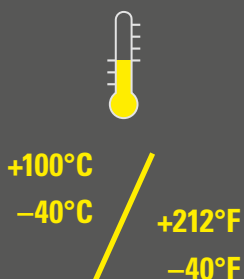


NRPA-PG

塑料PG制六角缩减头
Thread reducer, PG, plastic



	min.					max.
温度范围 <i>Temperature range</i>	█	█	█	█	█	█
UV保护性能 <i>UV protection</i>	█	█	█	█	█	█
低温性能 <i>Cold environment performance</i>	█	█	█	█	█	█
机械强度 <i>Mechanical strength</i>	█	█	█	█	█	█

材料: 尼龙玻璃纤维增强

尼龙玻璃纤维增强NRPA-PG主要用于当有小螺纹尺寸的连接头需要用于已存在的大型号的螺纹孔时, 缩减箱体螺纹尺寸, 适配连接头。

Material: polyamide glas fibre reinforced

The polyamide, glass fiber reinforced thread reducer NRPA-PG is used when threaded connections with smaller connection threads have to be used in existing threaded holes in the housing.

NRPA-PG

产品性能 / Product performances

应用性能 / <i>Application performances</i>	特性 <i>Characteristics</i>	单位 <i>Unit</i>	规范标准 <i>Standards, specifications</i>	备注 <i>Remark</i>
温度范围 <i>Temperature range</i>	-40 到 / to +100 -40 到 / to +212	°C °F	IS FIP	
防火性能 / Fire safety performances				
不含卤素和镉 <i>Free from halogens and cadmium</i>	是 / yes			
阻燃等级 <i>Fire classification</i>	HB		UL 94	
火焰蔓延 <i>Spread of fire</i>	非火焰蔓延 <i>non flame propagating</i>		IEC EN 61386	
耐候性 / Weathering performances				
UV及耐候性 <i>UV and weathering performance</i>	好 <i>good</i>		IS FIP	5 到 10 年 <i>5 to 10 years</i>

测试条件参照EN ISO 139温度23°C, 湿度 / 50% (如未注明测试条件)。IS FIP=FIP内部测试规范。

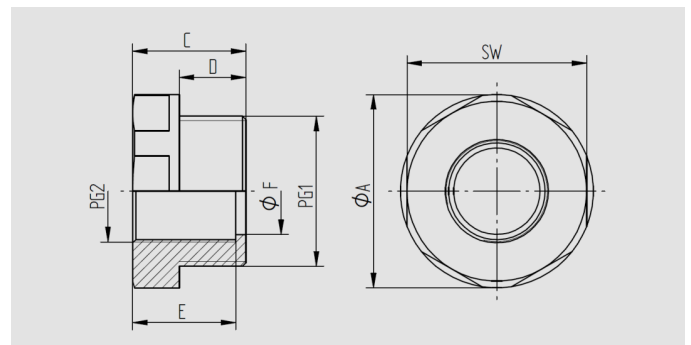
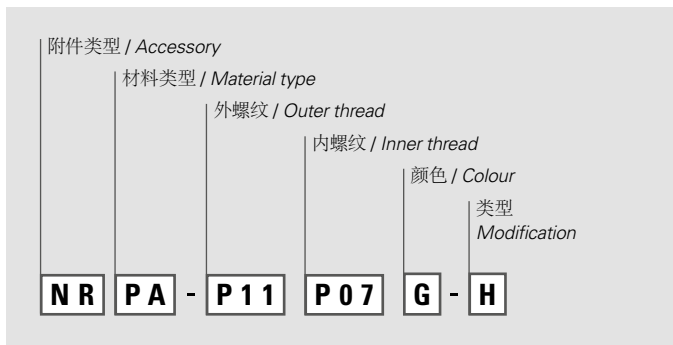
Tests carried out acc. EN ISO 139 at 23°C/50% r. h. (if not indicated different). IS FIP = Internal Specification FIP

产品号 Part. No	外螺纹 Outer thread	内螺纹 Inner thread	尺寸 mm (nom.) Dimensions in mm (nom.)						包装单元 PU 个 / Pcs
			SW	ØA	C	D	E	ØF	
灰色 / grey NRPA-P11P07G-H	PG1	PG2	22	24,0	16,0	9,0	15,5	10,0	10
NRPA-P16P09G-H	PG16	PG9	27	29,0	17,0	10,0	15,5	13,0	10
NRPA-P29P16G-H	PG29	PG16	42	45,0	19,0	12,0	15,5	20,0	10
NRPA-P36P21G-H	PG36	PG21	53	59,0	21,0	14,0	15,5	26,0	6
NRPA-P36P29G-H	PG36	PG29	53	59,0	21,0	14,0	15,5	35,0	6
NRPA-P48P29G-H	PG48	PG29	65	73,0	22,0	15,0	15,5	35,0	4
NRPA-P48P36G-H	PG48	PG36	65	73,0	22,0	15,0	15,5	44,0	4

关于产品库存, 交期, 尺寸及颜色等问题请联系我们本地的经销商或客服。

Please contact our local distribution partner or our customer service regarding product availability, lead time, other sizes and colours.

产品代码 / Number code:



我们尽我们的知识水平所提供的数据, 图像和技术规格图反映了当前的工程技术水平。这并不包含对最后应用有关的任何责任。产品用户需根据应用进行自己的评估, 以确定产品是否符合特殊的应用条件。我们对产品的责任只考虑一般规定条件下的水平。FIP保留对产品数据和数值进行技术调整的权利。例如更改材料和加工工艺, 在保证产品性能数值不下降的情况下不会另行通知。

The provided data, images and technical specification drawings reflect the current engineering level and are to the best of our knowledge. This does not include any liability regarding the final application. Users of the products have to make their own evaluation to determine the suitability for a specific application. Our liability for these products considers the stated level within our General Conditions only. FRAENKISCHE Industrial Pipes (FIP) reserves the right to adjust specified data and values as well as implementing technical adjustments of the products e. g. change of materials and processing technologies without prior notice as long as the specified values are not reduced.