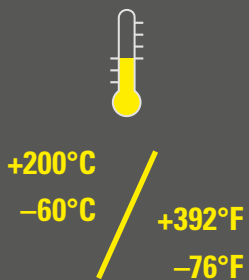
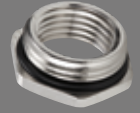


NRBN-M

圆形，公制，镀镍黄铜，螺纹缩减头

Thread reducer, hexagon, brass nickel-plated, metric



材料: 镀镍黄铜

公制螺纹缩减头NRBN-M 由镀镍黄铜制成。主要用于机器或设备箱体处螺纹孔大于现有接头螺纹尺寸时，缩减箱体螺纹尺寸以适配接头螺纹。

Material: Brass nickel-plated

The metric thread reducer NRBN-M made of brass nickel-plated is mainly used on machines, equipment and boxes where the threaded holes are bigger than the existing connection threads.

NRBN-M

产品性能 / *Product performances*

应用性能 / <i>Application performances</i>	特性 <i>Characteristics</i>	单位 <i>Unit</i>	规范标准 <i>Standards, specifications</i>	备注 <i>Remark</i>
温度范围 <i>Temperature range</i>	-60 到 / <i>to</i> +200 -76 到 / <i>to</i> +392	°C °F	IS FIP	

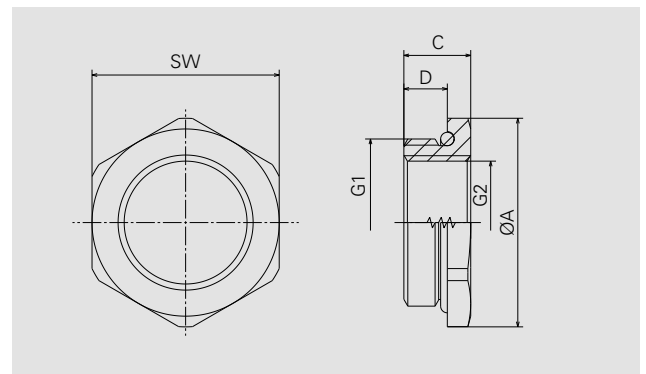
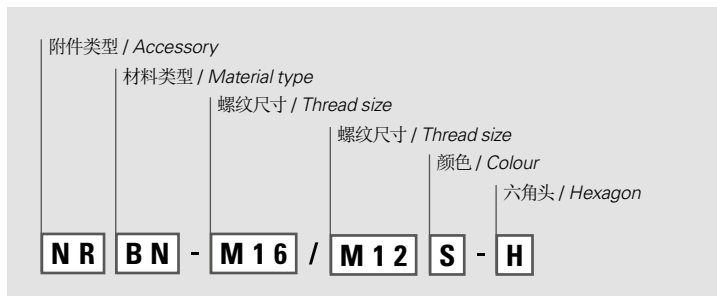
测试条件参照EN ISO 139温度23°C, 湿度 / 50% (如未注明测试条件)。IS FIP=FIP内部测试规范
Tests carried out acc. EN ISO 139 at 23°C/50% r. h. (if not indicated different). IS FIP = Internal Specification FIP

产品号 Part No.	螺纹尺寸 Thread size		尺寸 (mm) Dimensions in mm (nom.)				单重 Weight per piece	包装单位 PU
	G1	G2	øA	C	D	SW	g	个 / Pcs
NRBN-M16/M12S-H	M16×1,5	M12×1,5	20,2	8,5	5,5	18	7,1g	10
NRBN-M20/M16S-H	M20×1,5	M16×1,5	24,4	9,0	6,0	22	9,7g	10
NRBN-M25/M16S-H	M25×1,5	M16×1,5	31,2	10,0	6,5	28	27,1g	10
NRBN-M25/M20S-H	M25×1,5	M20×1,5	31,2	10,0	6,5	28	18,0g	10
NRBN-M32/M20S-H	M32×1,5	M20×1,5	40,0	11,5	8,0	36	52,8g	6
NRBN-M32/M25S-H	M32×1,5	M25×1,5	40,0	11,5	8,0	36	35,9g	6
NRBN-M40/M25S-H	M40×1,5	M25×1,5	47,5	12,5	8,5	43	87,0g	6
NRBN-M40/M32S-H	M40×1,5	M32×1,5	47,5	12,5	8,5	43	54,5g	6
NRBN-M50/M40S-H	M50×1,5	M40×1,5	58,0	14,0	10,0	54	93,0g	4
NRBN-M63/M50S-H	M63×1,5	M50×1,5	74,0	14,0	9,5	67	154,5g	4

关于产品库存, 交期, 尺寸及颜色等问题请联系我们本地的经销商或客服。

Please contact our local distribution partner or our customer service regarding product availability, lead time, other sizes and colours.

产品代码 / Number code:



我们尽我们的知识水平所提供的数据, 图像和技术规格图反映了当前的工程技术水平。这并不包含对最后应用有关的任何责任。产品用户需根据应用进行自己的评估, 以确定产品是否符合特殊的应用条件。我们对产品的责任只考虑一般规定条件下的水平。FIP保留对产品数据和数值进行技术调整的权利。例如更改材料和加工工艺, 在保证产品性能数值不下降的情况下不会另行通知。

The provided data, images and technical specification drawings reflect the current engineering level and are to the best of our knowledge. This does not include any liability regarding the final application. Users of the products have to make their own evaluation to determine the suitability for a specific application. Our liability for these products considers the stated level within our General Conditions only. FRAENKISCHE Industrial Pipes (FIP) reserves the right to adjust specified data and values as well as implementing technical adjustments of the products e. g. change of materials and processing technologies without prior notice as long as the specified values are not reduced.