

JSPA

直型管接头

Fitting straight



+120°C

-50°C

+248°F

-58°F

| | min. | max. |
|--------------------------------------|------------|------------|
| 温度范围 Temperature range | ██████████ | ██████████ |
| UV防护性能 UV protection | ██████████ | ██████████ |
| 低温性能 Cold environment performance | ██████████ | ██████████ |
| 机械强度 Mechanical strength | ██████████ | ██████████ |

Material: PA6 MOD V0 SGA

直型线缆保护管接头JSPA用于连接NW56以上波纹管，由特殊改性且不含卤素的的尼龙6材料制成。材料自熄，且耐大多数常见化学品。耐UV性能优异，JSPA非常适用于户外应用。波纹管安装侧预装有密封套，由卡夹将FIPLOCK®波纹管固定在管接头上，连接后达到了最高IP69级防尘防水等级。安装筒便且可靠，连接强度高。非常适用于重型线缆线束的防护。

Material: PA6 MOD V0 SGA

The straight cable protection conduit fitting JSPA for corrugated conduits from nominal width 56, is made of specially modified, halogen-free polyamide 6. The material is self-extinguishing and resistant against most chemical media commonly used. Due to its excellent UV-resistance, JSPA is also perfectly suitable for outdoor installations. Thanks to the pre-installed seal for the corrugated conduit side and the fitting surface in conjunction with the included locking clamps, the connection between the JSPA conduit fitting and our FIPLOCK® corrugated conduits, starting from nominal width 56, achieve the highest possible ingress protection class IP69. Easy and safe installation for outstanding connection strength when used with heavy cables and cable bundles.

JSPA

产品性能 / Product performances

| 应用性能 <i>Application performances</i> | 特性 <i>Characteristics</i> | 单位 <i>Unit</i> | 规范标准 <i>Standards, specifications</i> | 备注 <i>Remark</i> |
|-----------------------------------------------------|------------------------------------------------------|-------------------|------------------------------------------|------------------------------------------------|
| 温度范围 <i>Temperature range</i> | -50 到 / to +120 -58 到 / to +248 | °C °F | IS FIP | |
| 温度 (短周期) <i>Temperatur (short-term)</i> | 150 (500 h); 165 (100 h) 302 (500 h); 329 (100 h) | °C °F | IS FIP | |
| 系统密封性能 / System tightness | | | | |
| IP 等级 <i>IP rating</i> | IP66/IP67/IP68/IP69 (IP69K) | | IS FIP | |
| 防火性能 / Fire safety performances | | | | |
| 不含卤素和镉 <i>Free from halogens and cadmium</i> | 是 / yes | | | |
| 阻燃等级 <i>Fire classification</i> | V0 | | UL 94 | |
| 产品防火特性 <i>Fire characteristic of the product</i> | 自熄 <i>self-extinguishing</i> | | UL 1696 | |
| 氧指数 <i>Oxygen index</i> | >32 | % | EN ISO 4589-2 | |
| 灼热丝测试 <i>Glow wire test</i> | 960 1760 | °C °F | IEC 60695 | |
| 火灾危害等级 <i>Fire hazardous level</i> | HL3 R22 / 23 | | EN45545-2 | |
| 火焰蔓延指数 <i>Flame spread index</i> | 符合 <i>compliant</i> | | ASTM E162 | 依照 /acc. NFPA 130 |
| 烟雾浓度 <i>Smoke density</i> | 符合 <i>compliant</i> | | ASTM E662 | 依照 /acc. NFPA 130 |
| 烟雾毒性 <i>Smoke toxicity</i> | 符合 <i>compliant</i> | | BSS 7239/SMP 800-C | |
| 热释放量 (焓) <i>Heat release (Enthalpy)</i> | 19,4 (8265) | MJ/kg (BTU/lb) | ASTM E1354 | 50 kW/m ² 热通量 / <i>heat flux</i> |
| 火焰蔓延 <i>Spread of fire</i> | 非火焰蔓延 <i>non flame propagating</i> | | IEC EN 61386 | |
| 耐候性 / Weathering performances | | | | |
| UV及耐候性 <i>UV and weathering performance</i> | 优异 <i>excellent</i> | | IS FIP | 可达 40 年 <i>up to 40 years</i> |

测试条件参照EN ISO 139, 温度23°C, 湿度 50%(如未注明测试条件)。IS FIP = FIP内部测试规范。

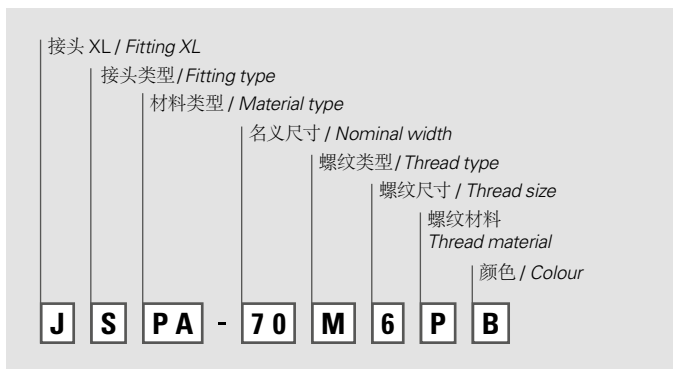
Tests carried out acc. EN ISO 139 at 23°C/50% r. h. (if not indicated different). IS FIP = Internal Specification FIP

| 产品号 Part No. | | 名义尺寸 Nominal width | 波型 Profile | 尺寸 (mm) Dimensions in mm (nom.) | | | | | 重量 Weight | 包装单元 PU |
|-----------------|--------------|-----------------------|---------------|------------------------------------|------|-------|------|-------|--------------|------------|
| 黑色 / black | 灰色 / grey | NW | | ØD | L | E | F | G | g | 件 / Pcs |
| JSPA-56M6PB | JSPA-56M6PG | 56 | C | 102,0 | 52,3 | 66,0 | 60,0 | – | 129,1 | 2 |
| JSPA-70M6PB | JSPA-70M6PG | 70 | C | 120,0 | 52,3 | 80,0 | 60,0 | 100,0 | 148,8 | 2 |
| JSPA-95M6PB | JSPA-95M6PG | 95 | C | 146,0 | 52,3 | 108,0 | 74,0 | 131,0 | 190,6 | 2 |
| JSPA-125M6PB | JSPA-125M6PG | 125 | C | 192,4 | 79,6 | 147,0 | 95,0 | 176,0 | 357,6 | 1 |

关于产品库存, 交期, 尺寸及颜色等问题请联系我们本地的经销商或客服。

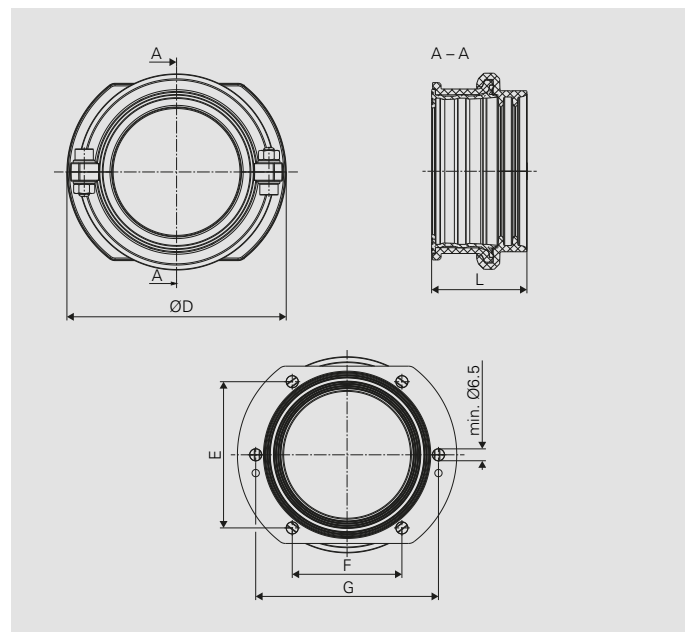
Please contact our local distribution partner or our customer service regarding product availability, lead time, other sizes and colours.

产品代码 / Number code:



粗波形 C / Coarse profile C

更高的拔脱强度 / High pull-out strength



完整的安装说明可从下列网址找到:

The entire assembly instructions may be found on

www.fraenkische.com/download/fiplock-xl-assembly-instruction-jspa-jwpa



我们尽我们的知识水平所提供的数据, 图像和技术规格图反映了当前的工程技术水平。这不包含对最后应用有关的任何责任。产品用户需根据应用进行自己的评估, 以确定产品是否符合特殊的应用条件。我们对产品的责任只考虑一般规定条件下的水平。FIP保留对产品数据和数值进行技术调整的权利。例如更改材料和加工工艺, 在保证产品性能数值不下降的情况下不会另行通知。

The provided data, images and technical specification drawings reflect the current engineering level and are to the best of our knowledge. This does not include any liability regarding the final application. Users of the products have to make their own evaluation to determine the suitability for a specific application. Our liability for these products considers the stated level within our General Conditions only. FRAENKISCHE Industrial Pipes (FIP) reserves the right to adjust specified data and values as well as implementing technical adjustments of the products e. g. change of materials and processing technologies without prior notice as long as the specified values are not reduced.