

## CPPA

带侧耳管夹

*Corrugated conduit clamp with lug, fixing rib*



+120°C

-50°C

+248°F

-58°F

	min.	max.
温度范围 Temperature range	██████████	██████████
UV保护性能 UV protection	██████████	██████████
低温性能 Cold environment performance	██████████	██████████
机械强度 Mechanical strength	██████████	██████████

材料: PA6 MOD V0 SGA

FIPLOCK® CPPA是一种具有带侧耳的波纹管路固定夹。可用于固定FIPLOCK®系列标准管路，细波形及粗波形都可以适用，尺寸范围NW07-NW29。固定夹内部带筋，可以卡住波纹管防止轴向窜动。固定夹由特殊改型的尼龙6材料制成，阻燃且抗腐蚀。

**Material: PA6 MOD V0 SGA**

FIPLOCK® CPPA is a corrugated conduit clamp with lug and can be used to fix our FIPLOCK® corrugated conduits in fine and coarse profiles in sizes NW07 - NW29. The internal rib engages positively with the corrugated conduit and offers optimal fixation in the axial direction. The parts made from specially modified polyamide 6 are flame-retardant and corrosion-free.

## CPPA

### 产品性能 / Product performances

应用性能 / Application performances	特性 Characteristics	单位 Unit	规范标准 Standards, specifications	备注 Remark
温度范围 Temperature range	-50 到 / to +120 -58 到 / to +248	°C °F	IS FIP	
温度 (短周期) Temperatur (short-term)	150 (500 h); 160 (100 h) 302 (500 h); 320 (100 h)	°C °F	IS FIP	
<b>材料性能 / Material performances</b>				
缺口冲击测试 Notched bar impact test	7 – 25	kJ/m <sup>2</sup>	ISO 180	
<b>防火性能 / Fire safety performances</b>				
不含卤素和镉 Free from halogens and cadmium	是 / yes			
阻燃等级 Fire classification	V0		UL 94	
产品符合特性 Fire characteristic of the product	自熄 self-extinguishing		UL 1696	
氧指数 Oxygen index	>32	%	EN ISO 4589-2	
灼热丝测试 Glow wire test	960 1760	°C °F	IEC 60695	
火灾危害等级 Fire hazardous level	HL3 R22 HL3 R23		EN45545-2	
火焰蔓延指数 Flame spread index	符合 compliant		ASTM E162	依照 /acc. NFPA 130
烟雾浓度 Smoke density	符合 compliant		ASTM E662	依照 /acc. NFPA 130
烟雾毒性 Smoke toxicity	符合 compliant		BSS 7239/SMP 800-C	
热释放量 (焓) Heat release (Enthalpy)	19,4 (8265)	MJ/kg (BTU/lb)	ASTM E1354	50 kW/m <sup>2</sup> 热通量 / heat flux
火焰蔓延 Spread of fire	非火焰蔓延 non flame propagating		IEC EN 61386	
<b>耐候性 / Weathering performances</b>				
UV及耐候性 UV and weathering performance	优异 excellent		IS FIP	可达 40 年 up to 40 years

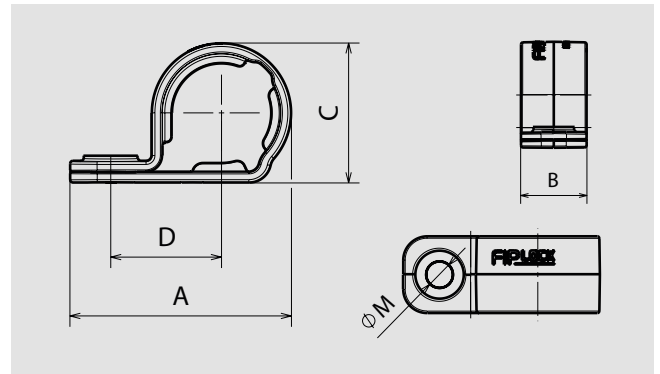
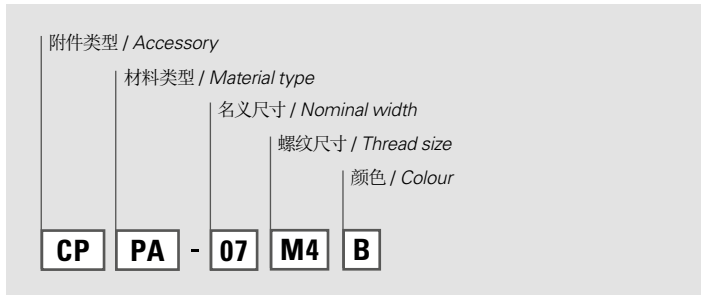
测试条件参照EN ISO 139温度23°C, 湿度 / 50% (如未注明测试条件)。IS FIP=FIP内部测试规范  
Tests carried out acc. EN ISO 139 at 23°C/50% r. h. (if not indicated different). IS FIP = Internal Specification FIP

产品号 Part No.		螺纹尺寸 Thread size	尺寸 (mm) Dimensions in mm (nom.)					单重 Weight per piece	包装单元 PU
黑色 / black	灰色 / gray		M	A	B	C	D	g	个 / Pcs
CPPA-07M4B	CPPA-07M4G	M4	4,5	27,4	13,0	14,4	13,7	1,7	10
CPPA-10M4B	CPPA-10M4G	M4	4,5	30,2	13,0	17,2	15,1	2,0	10
CPPA-12M4B	CPPA-12M4G	M4	4,5	33,2	13,0	20,2	16,6	2,3	10
CPPA-17M5B	CPPA-17M5G	M5	5,5	40,7	16,0	25,7	20,4	3,7	10
CPPA-23M5B	CPPA-23M5G	M5	5,5	49,1	16,0	34,1	24,6	5,9	6
CPPA-29M6B	CPPA-29M6G	M6	6,6	56,3	19,0	40,3	28,2	8,1	6

关于产品库存, 交期, 尺寸及颜色等问题请联系我们本地的经销商或客服。

Please contact our local distribution partner or our customer service regarding product availability, lead time, other sizes and colours.

## 产品代码 / Number code:



我们尽我们的知识水平所提供的数据, 图像和技术规格图反映了当前的工程技术水平。这不包含对最后应用有关的任何责任。产品用户需根据应用进行自己的评估, 以确定产品是否符合特殊的应用条件。我们对产品的责任只考虑一般规定条件下的水平。FIP保留对产品数据和数值进行技术调整的权利。例如更改材料和加工工艺, 在保证产品性能数值不下降的情况下不会另行通知。

The provided data, images and technical specification drawings reflect the current engineering level and are to the best of our knowledge. This does not include any liability regarding the final application. Users of the products have to make their own evaluation to determine the suitability for a specific application. Our liability for these products considers the stated level within our General Conditions only. FRAENKISCHE Industrial Pipes (FIP) reserves the right to adjust specified data and values as well as implementing technical adjustments of the products e. g. change of materials and processing technologies without prior notice as long as the specified values are not reduced.