

安装说明

FIPLOCK® COPA-S + COPA-H

Assembly instruction

FIPLOCK® COPA-S + COPA-H



\*COPA-S可以配套滑轨  
CRPA-CXPA一起使用

\*COPA-S can be used with  
mounting rail and slot  
nuts CRPA-CXPA



COPA-S\*



COPA-H

固定座 不带/带底座

Mounting clip without/with base

附件

## More accessories

用于 FIPLOCK® 产品范围 / for FIPLOCK® product range



**BSPA**

可堆叠重载固定座  
*System support  
stackable*



**BRPA**

多孔波纹管固定座  
*Multiple conduit  
mounting rail*



**BHPA**

轴向固定瓦形件  
*Half-shells  
axial fix*

**FIPSYSTEMS**® We simplify your world



## CUPA

波纹管双耳固定夹  
Corrugated conduit  
clamp with double lug, fixing rib

## BSPA-BJ

带球结可堆叠重载  
固定座

System support stackable  
with ball-joint



## CPPA

波纹管单耳固定夹  
Corrugated conduit  
clamp with lug, fixing rib



## CPSZ

单耳金属管夹  
Tube clamp with lug



## CUSZ

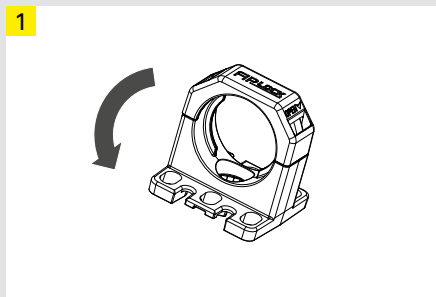
双耳固定管夹  
Tube clamp  
with double lug



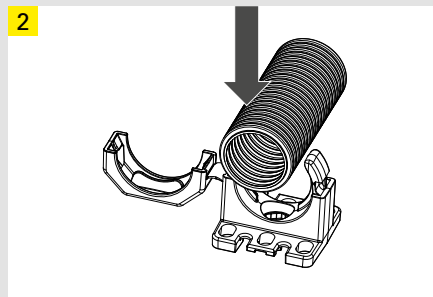
对于更多的产品信息, 可以访问[www.fraenkische-fpss.cn](http://www.fraenkische-fpss.cn)或扫描二维码直接获得FIP-LOCK®附件信息。

For more information about our products, please visit [www.fraenkische-fpss.cn](http://www.fraenkische-fpss.cn) or use the QR code with direct link to the FIPLOCK® accessory range.

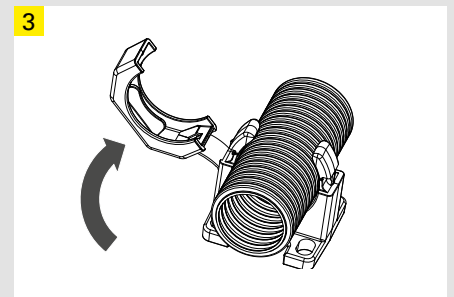
## 固定座安装说明 *Assembly instruction mounting clip*



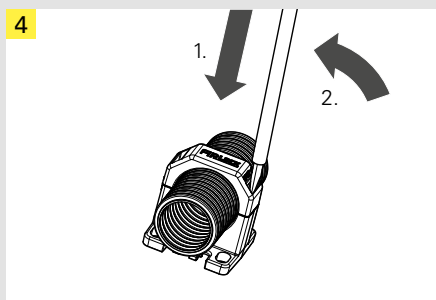
打开固定座上盖。  
*Open cover of mounting clip.*



将波纹管要固定的位置卡入固定座，直至完全被包裹(Pic 3)。  
*Apply corrugated conduit at foreseen position onto the clip and push in until the corrugated conduit is properly surrounded (Pic 3).*

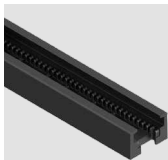


合上上盖，锁住。  
*Close cover of mounting clip – „click“ to lock.*



如果要打开固定座上盖，使用一个起子，插入上盖的有标记“OPEN”的槽中，然后轻微弯曲，打开倒扣，即可将波纹管取出。

*To re-open cover of mounting clip, use a commercial screw driver. Apply it to the slot marked „OPEN“ and slightly bend it to re-release cover lock. Pull-off corrugated conduit.*



**CRPA**  
固定滑轨  
*Mounting rail*



**CXPA**  
插槽螺母  
*Slot nut*



**COPA-S**  
固定座  
*Mounting clip*